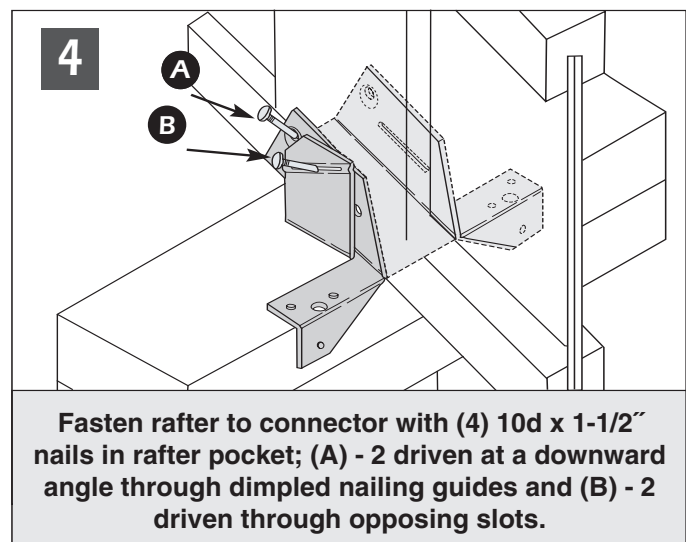
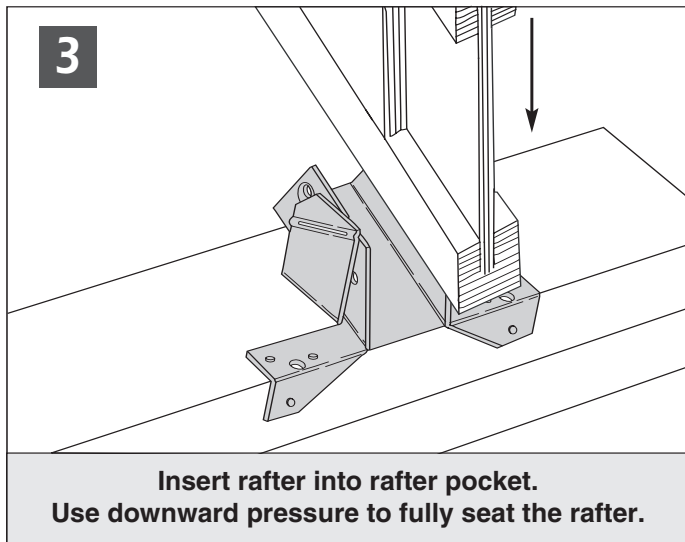
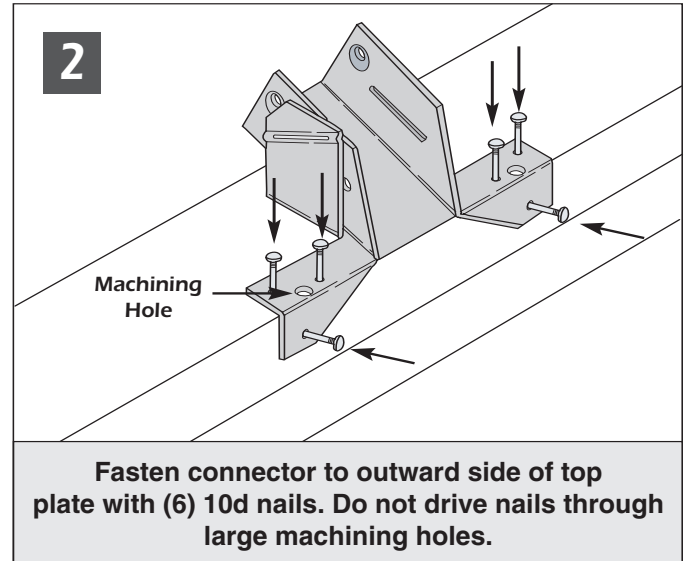
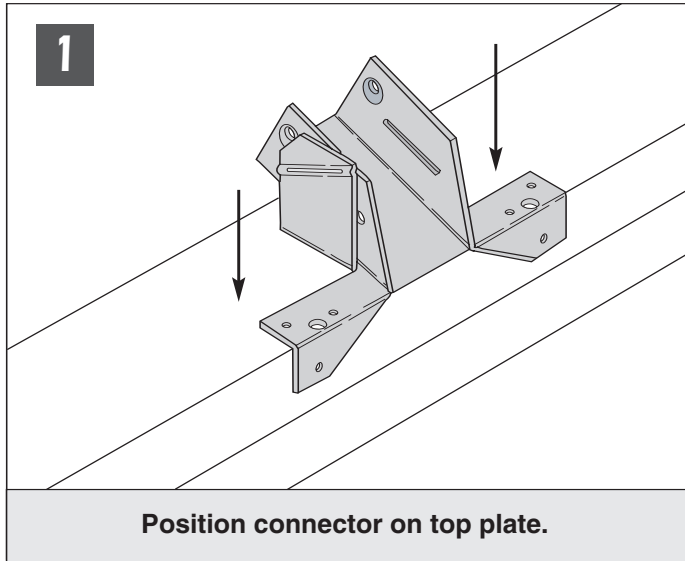


INSTALLATION INSTRUCTIONS FOR TMP RAFTER CONNECTOR

U.S. Patent# 5,217,317



Rafter Width	USP Stock No.	Ref. No.	Steel Gauge	Dimensions		Fastener Schedule ^{2,3}		Allowable Loads (Lbs.) ¹									
				W	L	Plate	Rafter	DF-L / SP				S-P-F					
								Floor	Roof	Uplift		Floor	Roof	Uplift			
				100%	115%	125%	133%	160%	100%	115%	125%	133%	160%				
1-1/2	TMP2	---	18	1-9/16	5-9/16	(6) 10d	(4) 10d x 1-1/2	990	990	990	220	220	990	990	990	220	220
1-3/4	TMP175	---	18	1-13/16	5-9/16	(6) 10d	(4) 10d x 1-1/2	1150	1150	1150	220	220	1150	1150	1150	220	220
2 or 2-1/8	TMP21	---	18	2-1/8	6-3/8	(6) 10d	(4) 10d x 1-1/2	1290	1290	1290	220	220	1290	1290	1290	220	220
2-5/16	TMP23	---	18	2-3/8	6-3/8	(6) 10d	(4) 10d x 1-1/2	1970	1970	1970	220	220	1970	1970	1970	220	220
2-1/2 or 2-5/8	TMP25	---	18	2-11/16	6-3/8	(6) 10d	(4) 10d x 1-1/2	1970	1970	1970	220	220	1970	1970	1970	220	220
3	TMP31	---	18	3-1/8	7-5/16	(6) 10d	(4) 10d x 1-1/2	1970	1970	1970	220	220	1970	1970	1970	220	220
3-1/2	TMP4	---	18	3-9/16	7-5/16	(6) 10d	(4) 10d x 1-1/2	1970	1970	1970	220	220	1970	1970	1970	220	220

1) Allowable loads are governed by test results; no further increase shall be permitted.
 2) 10d x 1-1/2 nails are 9 gauge (0.148" diameter) by 1-1/2" long.
 3) Minimum nail penetration shall be 1-1/2" for 10d nails.

Customer Service
Burnsville, MN
Phone: 1-800-328-5934
Fax: 1-952-898-8683

Manufacturing:
Montgomery, MN • Livermore, CA
Largo, FL • Rancho Cucamonga, CA
Thornhill, Ontario

Warehouses:
Houston, TX
Lumberton, NJ