

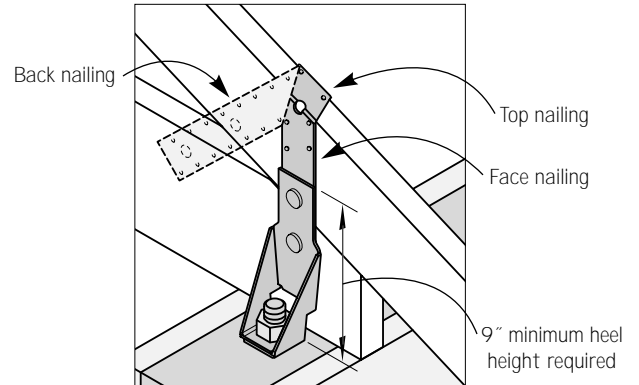
# TECHNICAL BULLETIN

## MTS27B Wrap Installation

### MTS27B Tension Tie Alternate Installation

USP Lumber Connectors™ offers the MTS27B Tension Tie wrapped over the top chord of a roof truss installation. The MTS27B wrap installation provides uplift resistance for truss applications when installed with all specified fasteners. For wood top plate applications, consideration should be given to possible future wood shrinkage.

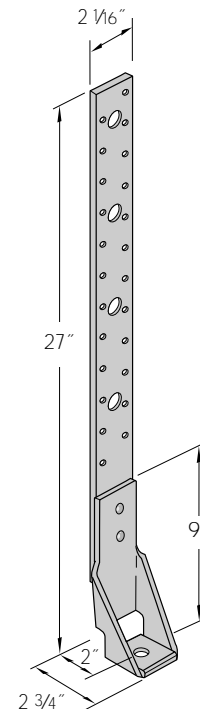
In the alternate installation, attach the MTS27B to the top plate, Lintel, or tie beam with (1) 3/4" anchor bolt. Anchor bolt nut should be finger tight plus 1/3 to 1/2 turn with a wrench. Install all specified face nails, as required by designer. Field bend over top of truss to provide tight contact between the strap and wood member, secure with all specified top and back fasteners.



Alternate MTS27B wrap installation

USP Stock No.	Ref. No.	Minimum Bend H	Fastener Schedule <sup>2,3</sup>				Allowable Loads (Lbs.) <sup>1,4</sup>			
			No. of Plys	Top	Face	Back	SYP		S-P-F	
							133%	160%	133%	160%
MTS27B	MTT28B	9	1 Ply	(2) 16d	--	(2) 16d	1695	1695	1275	1275
			2 Ply	(2) 16d	--	(2) 16d	3390	3390	2550	2550
			3 Ply	(2) 16d	--	(2) 16d	4635	4635	3825	3825
			1 Ply	(2) 16d	(2) 16d	(2) 16d	2020	2020	1540	1540
			2 Ply	(2) 16d	(2) 16d	(2) 16d	3810	3810	2890	2890
			3 Ply	(2) 16d	(2) 16d	(2) 16d	4635	4635	4245	4245
			1 Ply	(2) 16d	(4) 16d	(2) 16d	2345	2345	1800	1800
			2 Ply	(2) 16d	(4) 16d	(2) 16d	4230	4230	3235	3235
			1 Ply	(2) 16d	(6) 16d	(2) 16d	2425	2425	2065	2065
			2 Ply	(2) 16d	(6) 16d	(2) 16d	4635	4635	3575	3575
			1 Ply	(2) 16d	(18) 16d	(2) 16d	4635	4635	3645	3645

1) Allowable loads have been increased 33-1/3% or 60% for wind or seismic loads; no further increase shall be permitted.  
 2) 16d nails are 8 gauge (0.162 diameter) by 3-1/2" long.  
 3) Minimum header thickness shall be 1-15/16" for 16d nails.  
 4) SYP = Southern Yellow Pine (G=0.55)  
 S-P-F = Spruce-Pine- Fir (G=0.42)



MTS27B