

IMPROVED DESIGN JDS SERIES PURLIN HANGERS

New and improved JDS Hanger design features double shear nailing offering fewer fasteners and faster installation with increased load capacities. Use the JDS hangers for quick installation of purlins between rafters, joists or trusses in post and beam structures.

Features:

- Double Shear Nailing
- Fewer Fasteners
- Increased Load Capacities

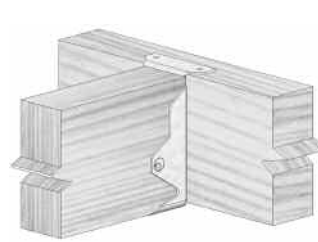
Materials: See chart

Finish: G90 galvanizing

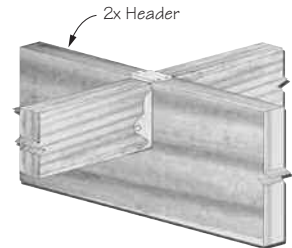
Patents: #5,217,317

Installation:

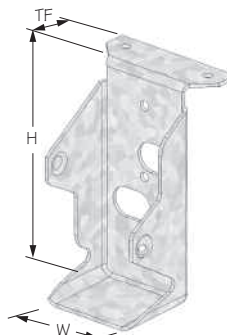
- Use all specified fasteners.
- Joist nails must be driven at a 30° to 45° angle through the purlin into the header to achieve listed loads. **Standard length "double shear" nails must be used to achieve listed load values.**



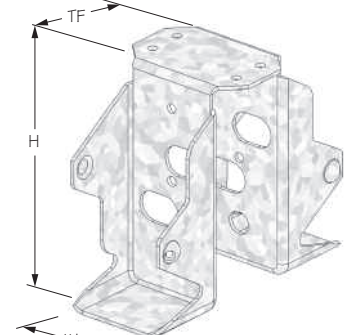
Typical **JDS24S** installation



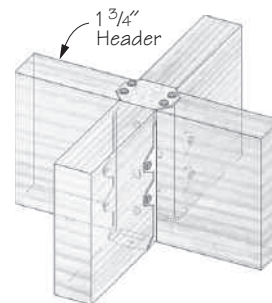
Typical **JDS24** installation



JDS24S
(JDS26S similar)



JDS24
(JDS26 similar)



Typical **JDS26-175** installation

Purlin Size	USP Stock No.	Ref. No.	Steel Gauge	Dimensions			Fastener Schedule ^{2,3}				Allowable Loads (Lbs.)					Ctn Qty	*2008 Retail Price Each
				W	H	TF	Header		Each Purlin		DF-L / SP						
							Qty	Type	Qty	Type	Floor 100%	Roof 115%	125%	133%	160%		
2 x 4 single	JDS24S	PF24A	20	1-9/16	3-1/2	3/4	2	10d x 1-1/2	2	10d	575	575	575	340	340	100	\$ 1.00
2 x 4 saddle	JDS24	PF24	20	1-9/16	3-1/2	1-9/16	4	10d x 1-1/2	4	10d	1155	1155	1155	680	680	50	\$ 2.03
2 x 6 single	JDS26S	PF26A	18	1-9/16	5-1/2	3/4	2	10d x 1-1/2	4	10d	775	830	835	390	390	100	\$ 1.18
2 x 6 saddle	JDS26	PF26	18	1-9/16	5-1/2	1-9/16	4	10d x 1-1/2	8	10d	1575	1670	1670	775	775	50	\$ 2.24
	JDS26-175	--	18	1-9/16	5-13/32	1-3/4	8	8d x 1-1/2	4	8d x 1-1/2	750	750	750	470	565	50	\$ 2.70

1) Uplift loads have been increased 33-1/3% or 60% for wind and seismic loads; no further increase shall be permitted.

2) 10d x 1-1/2 nails are 9 gauge (0.148" diameter) by 1-1/2" long.

3) Minimum nail embedment shall be 1-1/2" for 10d nails.

*2008 Retail pricing subject to change without notice.

USP supplies quality products to build Stronger Safer Structures



Customer Service:
Burnsville, MN
Phone: 1-800-328-5934
Fax: 1-507-364-8762

Manufacturing:
Montgomery, MN • Livermore, CA
Largo, FL • Thornhill, Ontario

Warehouses:
Houston, TX
Lumberton, NJ

www.USPconnectors.com

Information valid until February 28, 2010.

A GIBLARTAR INDUSTRIES COMPANY

USP2077-081

SALES SHEET