

T & L – 14 gauge medium-duty straps fasten with either nails or bolts.

LH & TH – 7 gauge heavy-duty bolt-on strap.

Materials: See chart

Finish: T & L – G90 galvanizing; LH & TH – USP primer;
L6-GC & T6-GC – Gold Coat

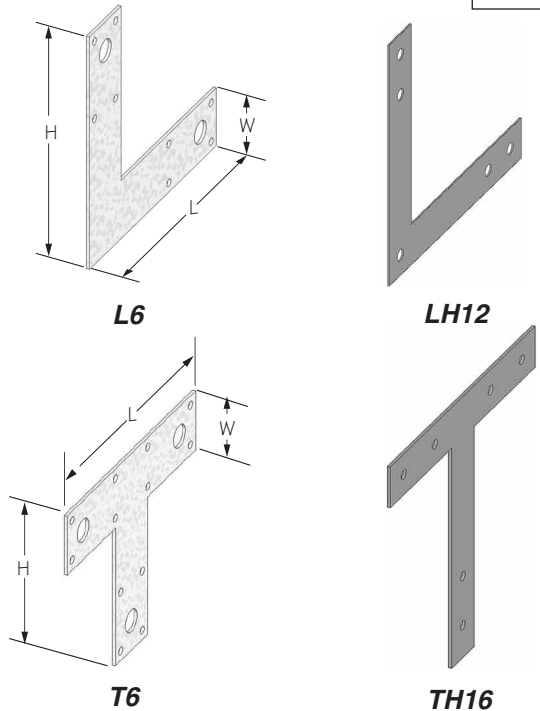
Options: L6 and T6 are available in Triple Zinc. To order, add TZ to stock number, as in **L6-TZ**.

Installation:

- Use all specified fasteners. See Product Notes, page 16.
- **Straps are not load rated.**

USP Stock No.	Ref. No.	Steel Gauge	Dimensions			Fastener Schedule ^{1,2}	
			W	H	L	Bolts	Nails
T6	66T	14	1-1/2	5	6	(3) 1/2	(12) 16d
T6-GC	---						(12) N16C-GC
T8	---	14	2	8	8-1/2	(3) 1/2	(12) 16d
T12	128T	14	2	8	12	(3) 1/2	(12) 16d
T16	---	14	3	11	15-3/4	(3) 1/2	(12) 16d
T1212	1212T	14	2	12	12	(3) 1/2	(12) 16d
L6	66L	14	1-1/2	6	6	(2) 1/2	(8) 16d
L6-GC	---						(8) N16C-GC
L8	88L	14	2	8	8	(2) 1/2	(8) 16d
L12	1212L	14	2	12	12	(4) 1/2	(12) 16d
TH12	1212HT	7	2-1/2	12	12	(6) 5/8	---
TH16	1616HT	7	2-1/2	16	16-1/4	(6) 5/8	---
LH12	1212HL	7	2-1/2	12	12	(5) 5/8	---
LH16	1616HL	7	2-1/2	16	16	(7) 5/8	---

1) Minimum nail embedment is 1-5/8" for 16d and N16C-GC nails.
2) All bolts shall meet or exceed the specifications of ASTM A 307.
New products or updated product information are designated in red.



AVAILABLE IN GOLD COAT

Bolts must be ordered separately. See page 26 for available sizes.

ORNAMENTAL SERIES

Ornamental notching provides architectural appearance for exposed applications.

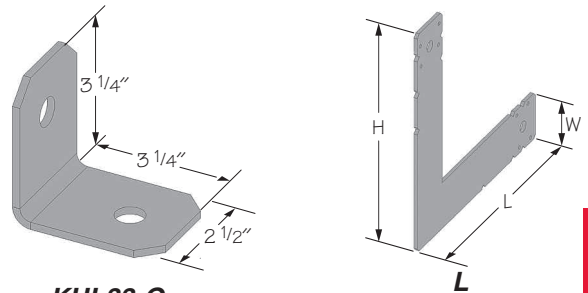
Materials: See chart
Finish: USP primer

Installation:

- Use all specified fasteners. See Product Notes, page 16.

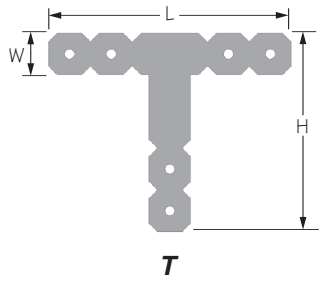
USP Stock No.	Ref. No.	Steel Gauge	Description	Dimensions			Bolt Schedule ¹
				W	H	L	
KHL33-O	OHA33	7	Heavy Angle	3-1/4	---	2-1/2	(2) 5/8
KHL36-O	OHA36	7	Heavy Angle	3-1/4	---	6	(4) 5/8
KHST12-O	---	7	Strap Tie	2-1/2	---	11-1/8	(2) 5/8
KHST64-O	OHS135	7	Strap Tie	6	---	13-1/2	(4) 3/4
KHST68-O	OHS195	7	Strap Tie	6	---	19-1/2	(8) 3/4
ST12-O	OS	12	Strap Tie	2	---	12	(4) 1/2
L12-O	OL	12	'L' Strap	2-1/2	11-7/8	11-7/8	(5) 1/2
LH12-O	OHL	7	'L' Strap	2-1/2	11-7/8	11-7/8	(5) 5/8
T1212-O	OT	12	'T' Strap	2-1/2	11-7/8	14-1/2	(6) 1/2
TH12-O	OHT	7	'T' Strap	2-1/2	11-7/8	11-1/8	(4) 5/8
TH16-O	---	7	'T' Strap	2-1/2	11-7/8	16-1/8	(6) 5/8

1) All bolts shall meet or exceed the specifications of ASTM A 307.



KHL33-O

Some model designs may vary from illustration shown



T

Bolts must be ordered separately. See page 26 for available sizes.

Angles & Straps

©Copyright 2007 USP Structural Connectors®

USP Stock No.	Triple Zinc (TZ)	Hot-Dip Galvanized (HDG)	Stainless Steel (SS)	Gold Coat (GC)
Fasteners / Anchors				
AB1212-HDG		X		
AB1218-HDG		X		
AB126-HDG		X		
AB128-HDG		X		
AB5817-HDG		X		
BP1		X		
BP12		X		
BP34		X		
BP58		X		
BP582		X		
BP583		X		
BP78		X		
HBPS12		X		
HBPS34		X		
LBP12-TZ	X			
LBP34-TZ	X			
LBP58-TZ	X			
LBPS12-TZ	X			
LBPS58-TZ	X			
N8-GC				X
N8C-GC				X
N10-GC				X
N10C-GC				X
N16C-GC				X
NA11		X	X	
NA16D		X		
NA20D		X		
NA21		X		
NA25		X		
NA250		X		
NA9D		X		
STB16		X		
STB20		X		
STB24		X		
STB28		X		
STB34		X		
STB36		X		
STBL16		X		
STBL20		X		
STBL24		X		
STBL28		X		
STBL34		X		
WS15-GC				X
Holdowns / Foundation Anchors				
FA3	X			
HPA35		X		
PA18	X			
PA23	X			
PA28	X			
PA35	X			
ST1-TZ	X			
ST2-TZ	X			
TA51	X			
TA71	X			
TDL5	X			
TDL10	X			
TDX2	X	X		
TDX6		X		
TDX8		X		
Embedded Truss Anchors				
H1A20	X			
HTA24	X			
TA20	X			
TA24	X			

USP Stock No.	Triple Zinc (TZ)	Hot-Dip Galvanized (HDG)	Stainless Steel (SS)	Gold Coat (GC)
Stud Plate Ties				
RSPT4		X		
RSPT6		X		
RSPT6-2		X		
SPT4		X		
SPT6		X		
SPT22		X		
SPT24		X		
SPTH4		X		
SPTH6		X		
Column / Post Bases				
CBS44		X		
CBS66		X		
CBSQ44-TZ	X			
CBSQ46-TZ	X			
CBSQ66-TZ	X			
D44	X			
D46	X			
D66	X			
EBG44	X			
EPB4408		X		
KCB44		X		
KCB46		X		
KCB48		X		
KCB66		X		
KCB68		X		
KCB88		X		
KCB1010		X		
KCB1212		X		
PA44	X			
PA44E	X			X
PA46	X			
PA46E	X			X
PA66	X			
PA66E	X			X
PAU44	X			
PAU46	X			
PAU66	X			
PAU88	X			
WAS44	X			
WAS46	X			
WAS66	X			
WE44	X			
WE46	X			
WE66	X			
Column / Post Caps				
C44	X			
C46	X			
C66	X			
EPCM4416	X			
EPCM4616	X			
KCC44		X		
KCC46		X		
KCC64		X		
KCC66		X		
KECC44		X		
KECC46		X		
KECC64		X		
KECC66		X		
PB44-6	X			X
PB66-6	X			X
PBC44-TZ	X			
PBC66-TZ	X			

USP Stock No.	Triple Zinc (TZ)	Hot-Dip Galvanized (HDG)	Stainless Steel (SS)	Gold Coat (GC)
Column / Post Caps				
PBES44		X		
PBES66		X		
PBS44		X		
PBS66		X		
PCM44		X		
PCM4416		X		
PCM46		X		
PCM4616		X		
PCM66		X		
PCM6616		X		
Joist Hangers				
HUS26		X		
HUS28		X		
HUS28-2IF		X		
HUS210		X		
HUS210-2IF		X		
JUS24			X	X
JUS26			X	X
JUS26-2			X	X
JUS28			X	
JUS28-2			X	
JUS28-3			X	
JUS210			X	X
JUS210-2			X	X
JUS210-3			X	
JUS44			X	
JUS46			X	
JUS48			X	
JUS410			X	
JUS414			X	
LSSH15-TZ			X	
LSSH210			X	
LSSH31			X	
SKH26R/L				X
SKH28R/L				X
SKH210R/L				X
TMU26			X	
Hurricane / Seismic Anchors				
HHCP2		X		
LFTA6		X		
RT3A		X		
RT4		X		X
RT5		X		X
RT7		X		X
RT7A		X		X
RT10		X		X
RT15		X		X
RT16		X		X
RT16-2		X		
RT20		X		
Truss Hangers				
HJH28L/R		X		
MSH418		X		
MSH422		X		
THD26		X		
THD26-2		X		
THD210-2		X		

USP Stock No.	Triple Zinc (TZ)	Hot-Dip Galvanized (HDG)	Stainless Steel (SS)	Gold Coat (GC)
Framing Plates & Angles				
A3		X		
AC5		X		
AC7		X		X
AC9		X		X
JA1		X		
MP3		X		
MP34		X		X
MP4F		X		
MP5		X		
MP7		X		X
MP9		X		X
MPA1		X		X
MPA1F		X		X
Straps				
KRPS18		X		
KRPS22		X		
L6		X		X
LSTA24				X
MSTA9		X		
MSTA12		X		X
MSTA15		X		X
MSTA18		X		X
MSTA21		X		
MSTA24		X		
MSTA30		X		
MSTA36		X		
PS218-HDG			X	
PS418-HDG			X	
PS720-HDG			X	
RS150		X		
RT24F		X		
T6		X		X
Twist Straps				
LTW12		X		X
LTW18		X		X
LTW20				X
MTW12		X		
MTW16		X		
MTW20		X		
MTW30		X		
RT16T		X		
RT24T		X		
Miscellaneous				
ANJ44S		X		
DC50-TZ		X		
CSH-TZ		X		
ERB24-TZ		X		
FB14-TZ		X		
FB16-TZ		X		
FB23-TZ		X		
FB240-TZ		X		
FRB24-TZ		X		
ICPL58		X		
ICPL516-TZ		X		
PRT2-TZ		X		
SCA9-TZ		X		X
SCA10-TZ		X		X
SDJT14-TZ		X		
SDPT5-TZ		X		
SDPT7-TZ		X		